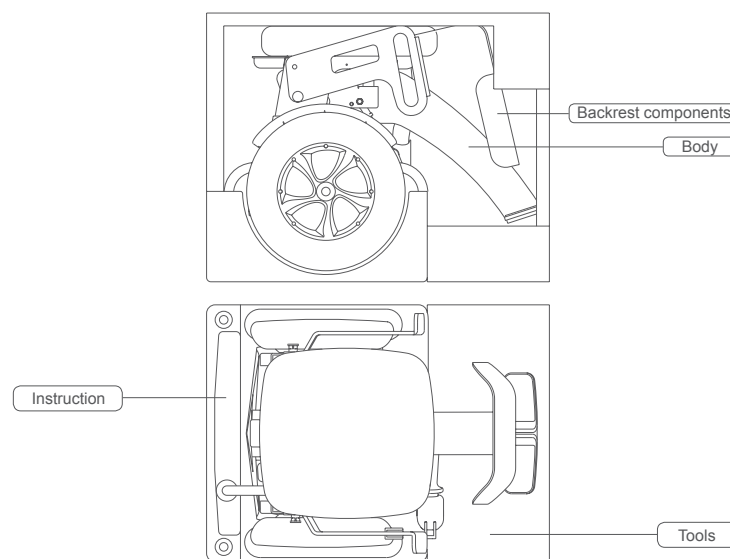
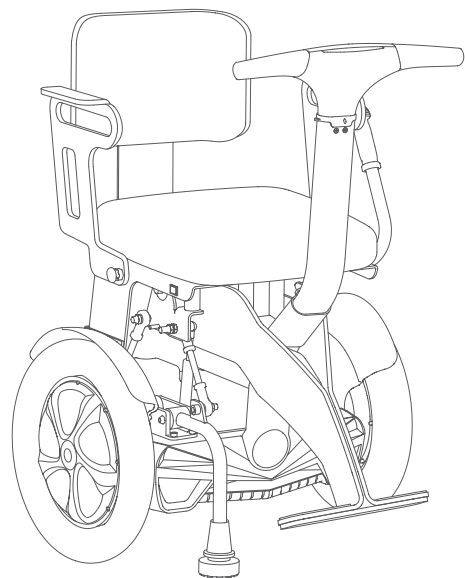


Airwheel A6T

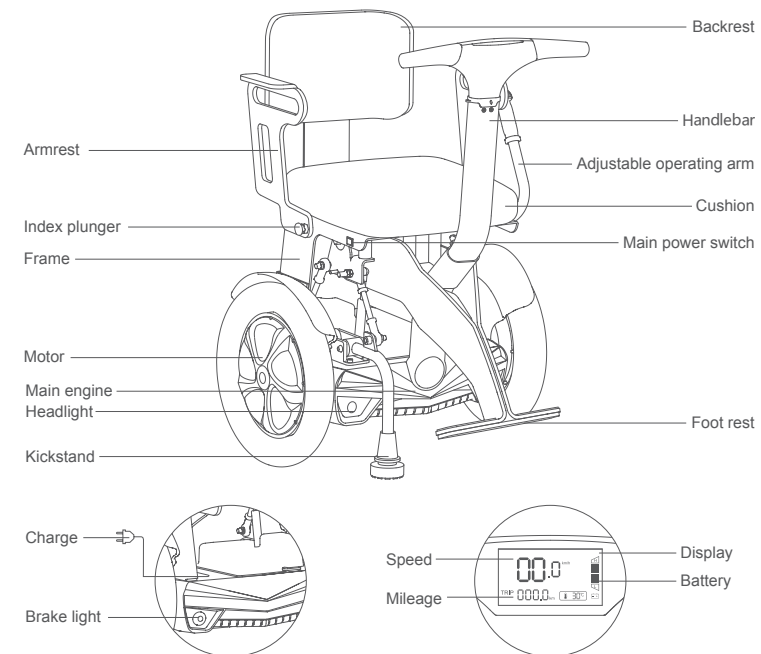
USER MANUAL



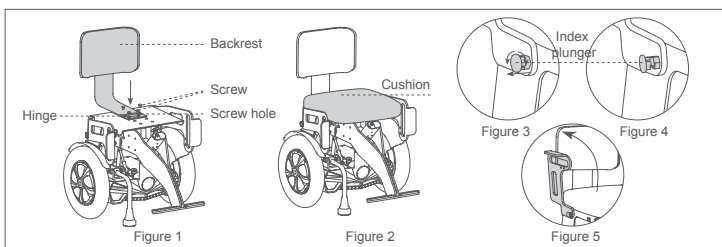
Packing list

Body	1pcs	Instruction	1unit
Handlebar	1pcs	Tools	1unit
Adjustable operating arm	1pcs	Backrest components	1unit
Remote control	2pcs		

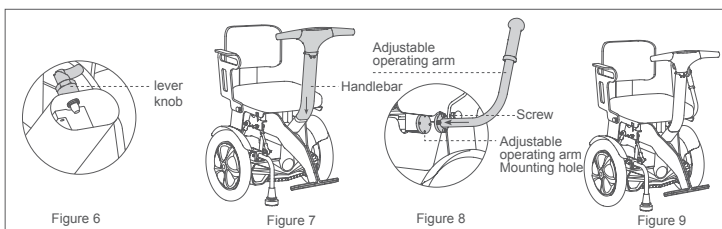
Diagram



Use A6T



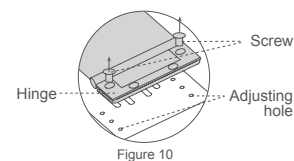
- Take A6T from the packing container. Align the screws on backrest hinge to the screw holes and body holes, tighten screws (see Figure 1) and stick saddle to frame (see Figure 2). Pull outward and rotate the index plunger (see Figure 3) and get the mount stuck and loosen the index plunger (see Figure 4); rotate the armrests to horizontal position (see Figure 5 - arrow). Pull outward and rotate the index plunger and release it when a click sound is heard.



- Rotate the lever knob, after hearing a "click", insert the handlebar (see Figure 7). Then keep rotating the lever knob until you hear a "clatter", the handlebar is installed. Take out the lift lever out of the foam box and align it with the mounting hole (see Figure 8). Tighten the screws and the body is installed (see Figure 9).

Adjust the depth of the backrest

Adjust the backrest depth according to riders' actual usage, unscrew the screws on both sides of the hinge, adjust it to appropriate adjusting hole and tighten the screws (see Figure 10).



Specifications

Main Technical Parameters

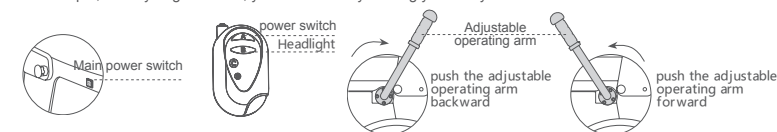
Size	770X600X935mm	Item weight	~44.45kg
Folding size	770X600X610mm	Max. load	90kg
Tire size	14inch	Max. speed	9km/h
Charging voltage	AC100-240V 50-60Hz	Max. permissible gradient	~10°
Charging time	~180min	Battery capacity	520Wh
Saddle width	420mm	Backrest width	350mm
Saddle depth	420mm (15mm being adjustable)	Backrest depth	230mm
Applicable temperature	-10℃~40℃		

Warning

- Please do not throw away the waste battery, so as not to pollute the environment. The waste lithium battery of the product is to be recycled by the enterprise or dealer, and the government designated outlets.
- After starting the kickstand adjusting gear, do not touch it whether by foot or hand, in case of accidents.
- The handlebar controller can be pushed left or right. Pushing it forward or backward is forbidden in case of bringing damage to the handlebar controller.
- Do not turn off power during riding.
- Turn on the power switch, and press the A button on the remote control. The display will turn on, and then raise the lift mechanism.

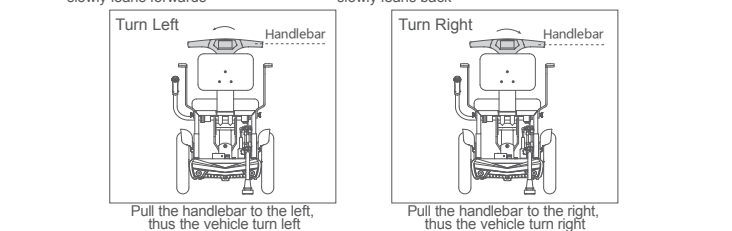
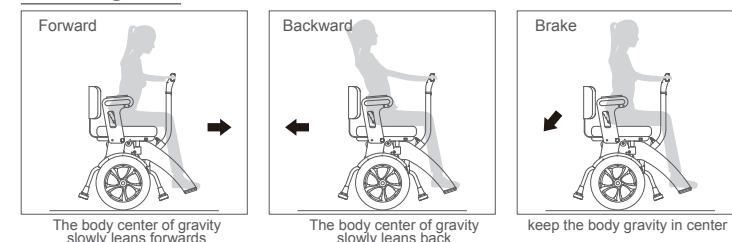
Start and brake

- Turn on the main power switch, startup prompt is heard and the display is continuously bright. Check whether the kickstand puts down or not. If not, push the adjustable operating arm backward until it cannot pull backward. Then kickstand lowers.
- After the rider sits tight, push the adjustable operating arm forward until it cannot pull forward. Then kickstand rises. To go forward and backward, riders need to lean forward and backward and riders need rely on the handlebar controller to turn left or right.
- Posture brake: change the center of gravity to the opposite direction of the movement to brake. For example, when you go forward, you can brake by leaning your body backward.



Important notes: After starting up, the display will turn on and then pull the kickstand.

Learning Skill



Safety

Please read this chapter as carefully as possible before your first-time using of this vehicle to fully understand all the information in order to drive it safely, comfortably and freely, which is important to you. If you have any question, please contact the manufacturer.

Important Note:

You need lots of practice to grasp the skill before you ride A6T safely. If you are not skilled, or fail to follow the user guide of this product, it may cause injury or others injury or property loss. Our company only takes the responsibility for product defects or damage, and we are NOT responsible for physical injury or property loss related with using products.

Attentions before operation

- Get familiar with local traffic rules.
- A6T belongs to non-motor vehicle, and requires no driving license in accordance with traffic law. But driver should observe the same traffic rules that are applied to pedestrians. Please drive it in pedestrian lane or bike lane.
 - Get familiar with all the traffic signals marks used for pedestrians.
 - Do not turn direction or cross road suddenly when driving on road.
- Before your first time to operate A6T, please get familiar with all the functions of this vehicle. Practice the operations like moving forward, moving backward, increasing speed, reducing speed, stopping, moving uphill, moving downhill and turning direction in a safe pace with less people and good road condition. Then you can officially drive on road after getting familiar with all these operations.
- If possible, please find a person familiar with A6T to accompany you to ensure your safety during first on-road operation.
- Do not drive A6T after you drink, are exhausted or are unconscious to guarantee your safety.
- Please confirm that the operator of this vehicle is not suffered from any mental disease or other diseases that may attack during driving and result in the driver's incompetence of driving the vehicle safely.
- If you are taking medicine, please confirm from your doctor that if such medicine will have adverse influence on your ability to operate A6T.
- Check the vehicle condition to confirm if the brake and various properties are normal.
- Do not touch the main power switch while riding.



- Never expose the electrical system of this vehicle to humid environment (such as rain, snow or fog), do not wash this vehicle with water, which will damage the electrical system. If the vehicle is wet, it could only be used after being dried and confirmed for good condition.
- Do not drive it under hostile weather conditions, such as rain, snow, fog, strong wind, temperature lower than -20°C or higher than 40°C. The electrical system may be damaged under those conditions to cause failures in control.
- Do not drive it on desert, beach, muddy road, road with pooled water, iced road, too smooth road or saline and alkaline land to prevent the driving property of this vehicle from damage.

Charging notes:

- Carefully check whether the charger's rated input voltage (AC100-240V) and the grid voltage is consistent.
- Verify that the charging indicator light (red) to confirm it is charging. When it turns green, it will take 15 minutes to be fully charged. The charging time is about 2-4 hours (depending on the quantity of remaining battery).
- It is recommended to use it when battery is fully charged.
- Before long-period storage, make sure it is fully charged, and charge it every 2 or 3 months.
- When charging, keep it out of children's reach.

Download APP

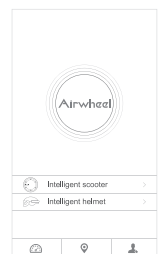


Scan QR code to download

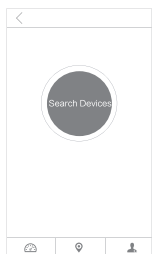
*Applicable to Android 4.3 or higher, iOS 7.0 or higher.

APP Instructions

- Turn on A6T power button, and start App and Bluetooth.
- Click the search button and do as the follows to connect (verify password is 11111111).
- Refer to official website or give calls for details.



Click the Intelligent scooter in the App interface.



Click the search button or



Search Airwheel nearby, click the searched Airwheel model to connect



Input the verify password 11111111 to connect.

Battery usage:

- Auxiliary charge: such as short delivery time, users can directly use the battery. If the delivery time is longer (2 months or longer), the battery will lose power during storage and transport. It is better to charge the battery before use. To charge it requires plugging the exclusive charge to the battery charging hole and connecting AC220V power source for 2-4 hours.
- The normal charge of the battery: the operation of A6T is also the discharge process of the battery. The battery should be charged immediately after long time riding.
- Always remember to power off after use.
- The connectors of the battery box should be fixed tightly according to the requirements (the battery box connecting line has been reliably connected before ex-factory). Loosened or wrong connection will cause the related parts abnormal and lead to serious damage.
- Lithium batteries can not be close to open fire or high temperature heat source, can not be thrown into water and can not be exposed in the sun in high temperature season.
- Do not disassemble and decompose, as the internal part of them lithium battery has been packaged intactly.
- The waste lithium battery of the product is to be recycled by the enterprise or dealer, and the government designated outlets. Please do not throw away the waste battery, so as not to pollute the environment.
- Almost all kinds of batteries will be affected by the environment. In general, the electric discharge performance is better when the air temperature is high. When the temperature drops to 0 degrees centigrade, battery power may fall more than 1/3. So, in winter or in cold area, mileage reduction is normal. When the temperature rises to 20 degrees above, the range will recover.

Parking note:

- Make sure it parks stably first, lower the lifting rod and then turn off power.
- To ensure your safety and keep A6T's optimal state, please maintain it regularly.

Attentions during operation

- A6T is designed with only one seat not allowing for taking passengers.
- A6T is not intended to be used for moving or loading cargos.
- The operator should sit on the seat and lean the body forward or backward to go forward or backward, and rely on the handlebar controller to turn left and right.
- Do not drive in a zigzag manner, take a sudden turn at high speed or incline your body to prevent the vehicle from inclining to one side.
- Please highly concentrate and drive slowly on uneven or soft road (such as grassland), when making a turn, on streets with a lot of traffic, in shopping centers or parks.
- Do not use wireless communication devices such as mobile phone during driving. These devices could only be used when you stop the vehicle in a safe place and cut off the power supply.
- When moving backward, pay attention to road conditions and pedestrians and drive at a slow speed.
- Drive at a slow speed when getting out of door or elevator. It is not permitted to sit on it on escalator.
- Keep highly concentrated and drive straightly at a slow speed when driving uphill or downhill. It does not permit to drive A6T across slopes exceeding 10°.
- Follow traffic rules when driving through cross street and do not run a red light.
- Do not frequently turn on or turn off the power switch.
- Do not lend A6T to anyone who is not familiar with or has never used this vehicle. Do not let children play with the power switch or handlebar controller.
- Do not use this vehicle with too much load (higher than 90KG).
- The company is not liable for accidents, injuries or product malfunctions that result from unauthorized changes/modification or tampering with any part of original specifications. If something goes wrong, please contact Airwheel customer care.
- This product might be limited to use on private road (check local regulations). We recommend using suitable protective equipment and installing reflector.

Airwheel reserves the right of final interpretation of all the terms and conditions of this User Manual.

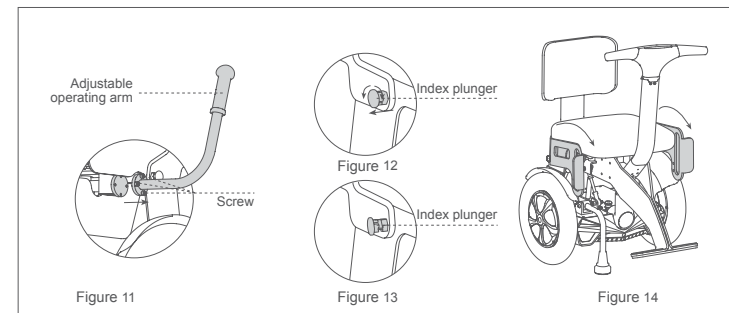
Warranty

No.	Parts	Airwheel Warranty		
		Term of service	Scope of warranty (removing human factors)	Beyond the scope of the warranty (including human factors)
1	Battery	6 months	Purchasers can replace old battery with a new one within 6 months, if charging failure, output abnormal and capacity less than 60% occur. (subject to date of production).	Battery damage caused by water permeation, Self-demolition
2	Motor	12 months	Purchasers can replace old motor with a new one within 12 months. The later warranty includes functional faults like motor coil default phase, short circuit, burnout and internal abnormal sound.	Abnormal and damaged appearance and structure, Self-demolition
3	Frame	12 months	Deformation and fracture of components	Violent collision; Self-demolition
4	Handlebar	6 months	Functional fault	Self-demolition, collision, damage by squeezing, water permeation
5	Headlight	6 months	Functional fault	Collision, Self-demolition
6	Armrest	6 months	obvious fading, blistering, cracking, abnormal folding	Self-demolition, Violent collision, non-normal operation
7	Remote control	12 months	Functional fault	Self-demolition, collision, damage by squeezing, water permeation
Matters needing attention		<ol style="list-style-type: none"> Please check every folding parts after receiving it and it is allowed to replace caused by non-human factors within seven days. In principle, the functions of folding parts don't belong to the warranty scope. Brake module, wiring harness and cover tyres belong to vulnerable parts, and they are allowed to replace caused by non-human factors within seven days. In principle, they don't belong to the warranty scope. The unmarked components have 3 months warranty by default, except those caused by human factors. Malfunction is caused by users who are not in accordance with the provisions of the operation instruction handbook to use, maintain and adjust. Failure is caused by user improper safekeeping or accidents. There is no warranty card and invoice or discrepancy between the vehicle and the card. Damage is caused by riding in the rain and soaking in water. The defect of the battery caused by water inflow is not covered by warranty. 		

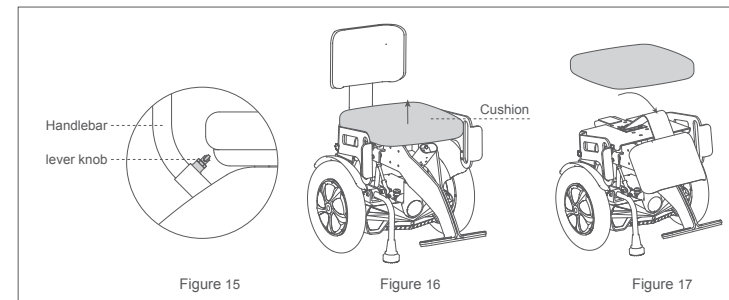
QUALIFICATION CERTIFICATE

Doc. No. : V2.5

Foldable



- Loosen the set setscrew (see Figure 11) to remove the adjustable operating arm from the body. Pull outward and rotate the index plunger (see Figure 12) and get the mount stuck and loosen the index plunger (see Figure 13); rotate the armrests to horizontal position (see Figure 14-arrow). Pull outward and rotate the index plunger and release it when a click sound is heard. Then the armrest is folded.



- Rotate the lever knob. After hearing a "click", pull out the handlebar (see Figure 16), tear up the cushion tape (see Figure 16), remove the cushion. Then rotate the backrest in the direction follow the arrow in Figure 17, fold the backrest, and then attach the cushion to the body to complete the folding.

Record of extended warranty

Part Name	Start Date of Extended Warranty	Extended Period
Part Name	Start Date of Extended Warranty	Extended Period
Part Name	Start Date of Extended Warranty	Extended Period

Please refer to the mars rover official website for latest info update.

User Info

Name: _____ Tel: _____ Email: _____
Address: _____

Product Info

Model: _____ Service Center: _____

Repair Date: _____

Repair Details: _____

Cause of Malfunction: _____

SN: _____

Signature of the Repairman: _____

Seal of the Service Center

Aftersales info

Please visit our official website for the address of the service center and other related info.

Authorized by: Airwheel Holding Limited

Manufactured/Dealed by: Changzhou Airwheel Technology Co., Ltd.

Address: 5th Floor, East Wing, Building No.10, High - Tech Park, Kewu Road, Xinbei District, Changzhou, Jiangsu, China

Website: www.airwheel.net

E-mail: after-sale@airwheel.net



www.airwheel.net

Data is only for reference. Be subject to the real object.